

# optrimax<sup>®</sup>

SLOWJUICER

## User Guide

English • 中文 • 繁体中文 • Bahasa





# Contents

07 Know Your Oprimax Slow Juicer  
- Components

08 Safety Precautions  
- Warning  
- Caution

10 Assembly  
- For Juicing

13 How to Use

14 Disassembly and Cleaning

16 Troubleshooting

## Specifications

Product Name	Oprimax Slow Juicer	
Voltage	Two models available: 220-240V and 110V (110V is for Taiwan and Japan only)	
Frequency	50~60 Hz	
Power Consumption	200W	
Revolutions Per Minute	47 RPM	
Motor	Condensing Induction AC Motor	
Weight	6.5kg	
Dimensions	Width	195mm
	Length	190mm
	Height	425mm
Standard Usage Time	Less than 30 minutes continuously	

# 目录

21 认识您的慢磨蔬果机  
– 组装配件

22 注意事项  
– 警告  
– 注意

24 组装步骤  
– 原汁容器组装

27 如何使用

28 拆卸和清洗

30 故障排除

## 产品规格

产品名称	窃轻悦慢磨蔬果机	
商品型号	两个型号: 220~240V 和110V (110V只适用于台湾和日本)	
电压需求	50~60 Hz	
输出功率	200W	
电机转速	47转/分钟	
电机	冷凝感应交流电机	
重量	6.5公斤	
尺寸	宽度	195毫米
	长度	190毫米
	高度	425毫米
标准使用操作时间	请勿连续使用超过30分钟	

# 目錄

35 認識您的慢磨蔬果機  
– 組裝配件

36 注意事項  
– 警告  
– 注意

38 組裝步驟  
– 原汁容器組裝

41 如何使用

42 拆卸和清洗

44 故障排除

## 產品規格

產品名稱	窃轻悦慢磨蔬果機	
商品型號	兩個型號: 220~240V 和110V (110V祇適用於臺灣和日本)	
電壓需求	50~60 Hz	
輸出功率	200W	
電機轉速	47轉/分鐘	
電機	冷凝感應交流電機	
重量	6.5公斤	
尺寸	寬度	195毫米
	長度	190毫米
	高度	425毫米
標準使用操作時間	請勿連續使用超過30分鐘	

# Daftar Isi

49 Mengenal Optrimax Slow Juicer  
- Komponen

50 Pencegahan&Keamanan  
- Peringatan  
- Perhatian

52 Pemasangan  
- Untuk Pembuatan Jus

55 Cara Penggunaan

56 Pembongkaran dan Pembersihan

58 Pemecahan Masalah

## Spesifikasi

Nama Produk	Optrimax Slow Juicer	
Voltasi	2 jenis: 220~240V and 110V (Hanya Berlaku untuk Taiwan dan Jepang)	
Frekuensi	50~60 Hz	
Daya	200W	
Revolusi Per Menit	47 RPM	
Motor	Condensing Induction AC Motor	
Berat	6.5kg	
Dimensi	Lebar	195mm
	Panjang	190mm
	Tinggi	425mm
Standar Waktu Penggunaan	Kurang dari 30 menit jika digunakan secara kontiniu	

# Why Optrimax Slow Juicer?

Optrimax Slow Juicer gently cold-presses to extract juice rather than shreds and grinds with high-speed force.

Using the first-of-its-kind patented DualEdge Cold-Press Technology (DECT™) which is the best-performing squeezing screw in the market, Optrimax Slow Juicer creates stronger cut and squeeze and operates at the slowest speed of 47 RPM as compared to the conventional 70-80 RPM of other slow juicers.

The strong and thorough dual-edge squeezing allows efficient juicing of a wide range of fruits and vegetables, including those harder or highly fibrous ones, delivering the highest yield and least loss.

The lowest-speed operation, generating no heat and friction, wholly preserves the enzymes, vitamins, minerals and phytonutrients in the fruits and vegetables like no other!

Not only fruit and vegetable juices, now you can make your own healthy versions of ice cream, sorbet, soy milk, jams, sauces, purees for baby foods and many more!

For better use and proper maintenance, please follow the instructions in this User Guide carefully. Please refer to User Guide whenever there is any unsure usage or technical difficulty. We are not liable for any injuries or damages that may occur due to the lack of understanding of the User Guide.



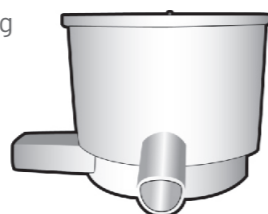
## Know Your Optrimax Slow Juicer

### Components

Pusher



Juicing Bowl



Pitchers  
x 2



Hopper



Base



Cleaning Brush



DECT™ Squeezing Screw



3-Level Extraction Strainer



Spinning Brush



## Safety Precautions

Please read carefully before use. Please follow instructions to avoid product damage or injuries.

### ! WARNING Violating this sign may lead to serious injury.



**Do not plug or unplug the Electrical Plug with wet hands.**

Violating this instruction may cause electrocution or injury.



**Do not use the product with damaged Electrical Cord or Plug.**

Violating this instruction may cause electrocution or fire.



**Do not disassemble the Base. All repairs shall be done only by authorised personnel.**

Violating this instruction may cause product damage, fire or injury. Please contact your Product Consultant for repairs.



**Do not use other than the right voltage power.**

Violating this instruction may cause electrocution, fire or product damage.



**Do not use the product if it is dropped or damaged in any way.**

Violating this instruction may cause electrocution or fire. Please contact your Product Consultant for repairs.



**Keep the Base away from any heat source. Do not submerge the Base, Electrical Cord or Plug in water. Keep them dry at all times.**

Violating these instructions may cause electrocution or injury.



**Please plug into the power socket properly.**

Violating this instruction may cause electrocution or fire.



**Only feed food ingredients into the Hopper.**

Violating this instruction may cause product damage or injury.



**Keep away from children or anyone who is not familiar with the usage of the product.**

Violating this instruction may cause product damage or injury.



**Do not force plug into power socket. Ensure that the Electrical Plug is away from any heat source and is not bent or twisted in any way.**

Violating these instructions may cause electrocution or fire.



**Do not disassemble the components while the product is in operation.**

Violating this instruction may cause product damage or injury. Please only disassemble after the power is off.

# Safety Precautions

**! CAUTION** Violating this sign may lead to serious product damage.



Operate on a flat and steady surface.



Remove any hard pits of fruits and vegetables.



The product weighs 6.5kg. Please lift the product with both hands.



Do not operate when the Hopper is loose.



Do not put frozen fruits or ice cubes into the Slow Juicer.



Do not rinse the components with water that is warmer than 80°C.



Do not move the product while it is in operation.



Do not use more than 30 minutes continuously. Continue use only after a 5-minute interval.



Do not use dishwasher, abrasive cleaning material (e.g. metal sponge) or harsh detergent to clean.



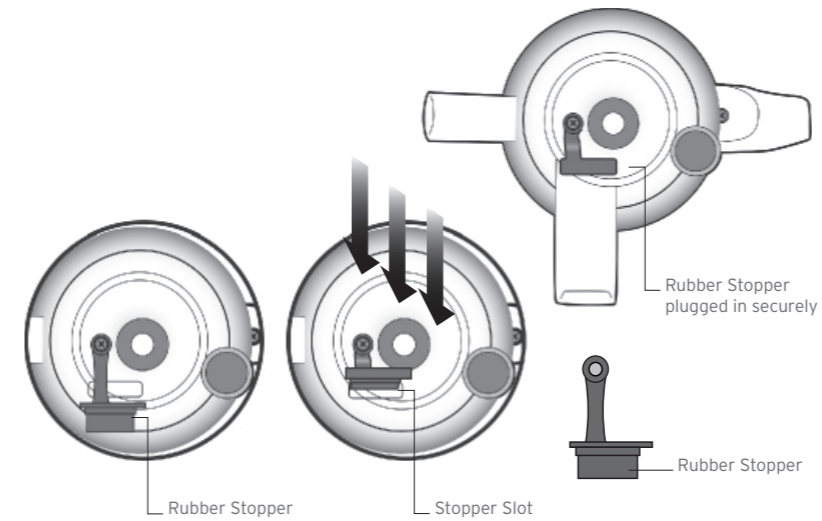
Do not use any tool (such as fork, chopsticks, spoon etc.) as a pusher other than the Pusher itself.



After use, remove the Electrical Plug from the power socket .  
Do not remove plug by pulling the cord.

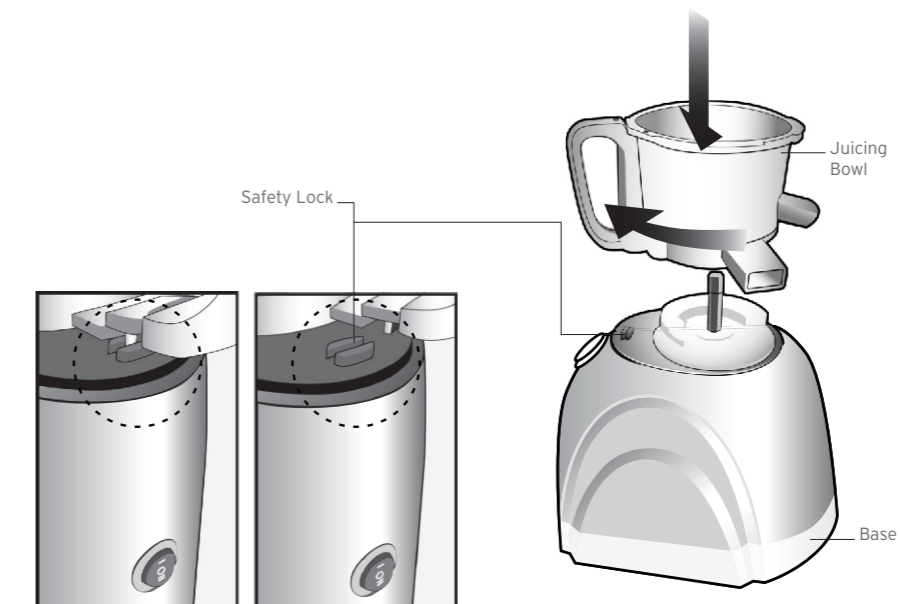
# Assembly

## For Juicing



1

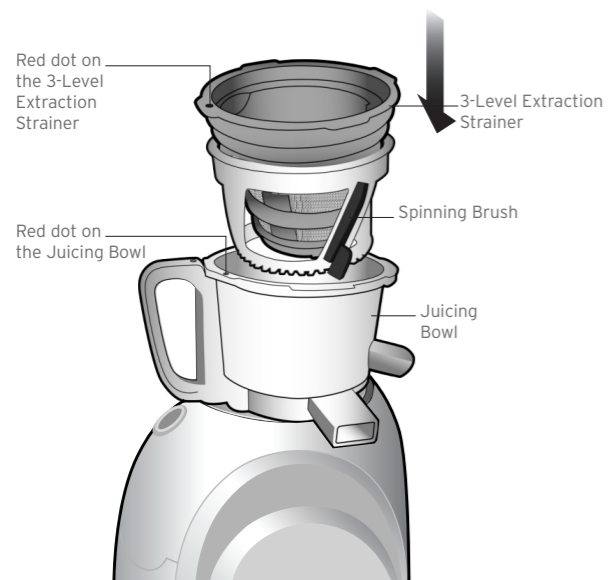
- Before assembling the Juicing Bowl onto the Base, make sure that the Rubber Stopper underneath the Juicing Bowl is securely plugged back in the Stopper Slot to prevent leakage.



2

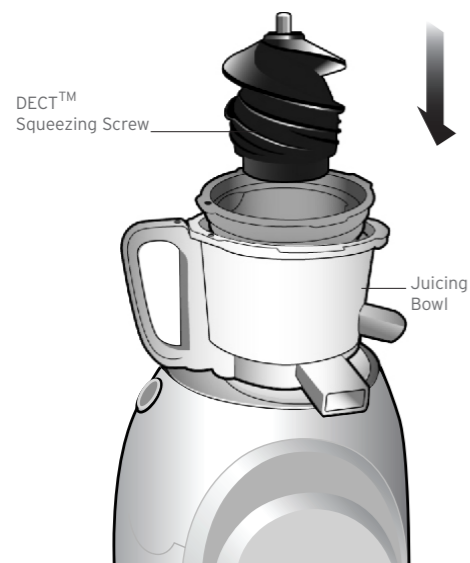
- Attach the Juicing Bowl onto the Base.
- Align the handle of the Juicing Bowl to the right side of the Safety Lock.
- Turn clockwise to lock.

# Assembly



3

- Assemble the 3-Level Extraction Strainer into the Spinning Brush.
- Place both 3-Level Extraction Strainer and Spinning Brush into the Juicing Bowl.
- Make sure that the red dot on the 3-Level Extraction Strainer and the red dot on the Juicing Bowl are aligned.
- Press down to secure.

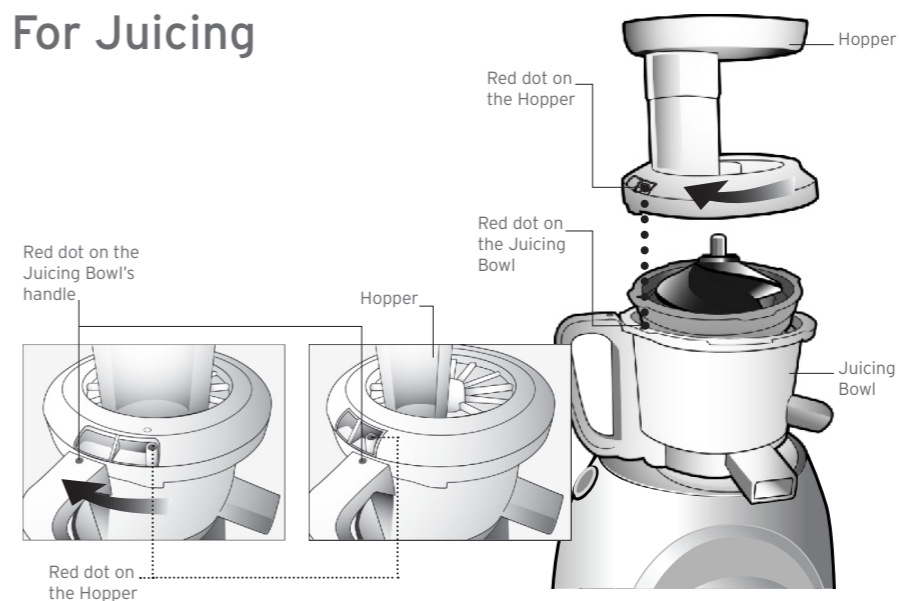


4

- Place the DECT™ Squeezing Screw into the centre of the Juicing Bowl.
- Press down to secure.

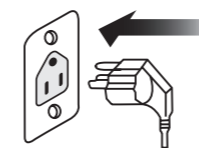
# Assembly

## For Juicing



5

- Attach the Hopper (Juicing Bowl) to the Juicing Bowl.
- Align the red dot on the Hopper to the red dot on the Juicing Bowl.
- Turn clockwise to lock.



6

- Plug in to the power socket properly.
- Place a Pitcher under each outlet.



## How to Use



### The Switch

There are three settings:

- **on** To start juicing.
- = **rev** Only to be used when ingredients are stuck and need to be unclogged.
- To turn off.

### Before Juicing

- Rinse all the ingredients thoroughly.
- Cut ingredients into pieces not larger than 2cm for optimal juice extraction. For hard or highly fibrous ingredients (such as carrot or stems), cut into thin slices.
- Remove any hard seeds or pits.
- To juice beans or nuts, soak to soften before juicing. Check the Recipe Book for more ideas.



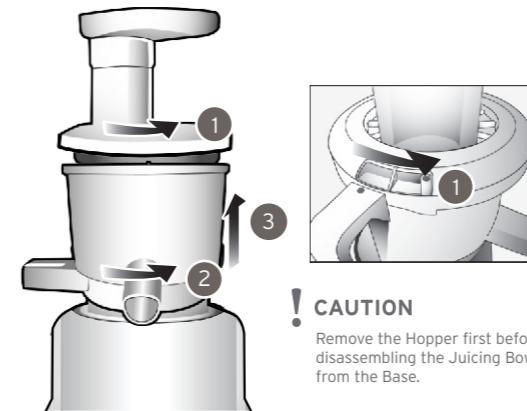
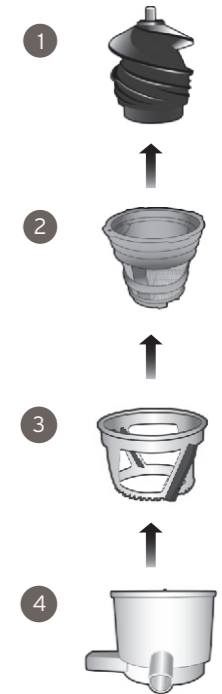
### Juicing

- Turn on the Switch.
- Feed ingredients into the Hopper. Do not overstuff or force down. Use the Pusher only when ingredients are stuck in the Hopper.
- Do not put in frozen fruits or ice cubes.
- Turn off the Switch when juicing is done.

## Disassembly and Cleaning



- Turn on the Switch.
- Pour clean water into the Hopper to rinse.
- Turn off the Switch.



### ! CAUTION

Remove the Hopper first before disassembling the Juicing Bowl from the Base.

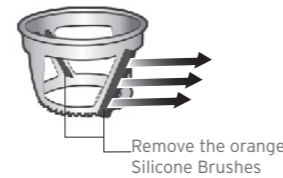
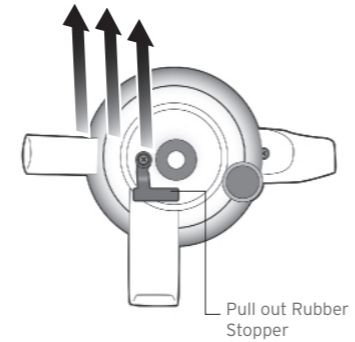
- Turn the Hopper anticlockwise to remove.
- Turn the Juicing Bowl Set anticlockwise and remove the whole set from the Base.

Disassemble the set in sequence:

1. DECT™ Squeezing Screw
2. 3-Level Extraction Strainer
3. Spinning Brush
4. Juicing Bowl



## Disassembly and Cleaning



- Use the Cleaning Brush to clean each component thoroughly with mild detergent.
- Detach the Silicone Brushes from the Spinning Brush to ensure thorough cleaning and prevent staining or mould growth, if required.
- To ensure thorough cleaning, pull out the Rubber Stopper completely from the Stopper Slot located on the underside of the Juicing Bowl.
- Do not use abrasive cleaning material (e.g. metal sponge) or harsh detergent to clean.
- Do not use dishwasher.
- Dry the components after cleaning.

- Clean the Base with dry or damp towel.
- Do not rinse or submerge the Base in water.

## Troubleshooting

	Problem	Possible Reasons	Solution
1	Juicing Bowl is stuck and cannot be detached from the base.	<ul style="list-style-type: none"> <li>• Excessive ingredients in the bowl.</li> <li>• Unknown substance in the bowl.</li> </ul>	<ul style="list-style-type: none"> <li>• Press "rev" Switch for 3 - 5 seconds.</li> <li>• Repeat 2 - 3 times.</li> <li>• Push the Bowl upwards while turning.</li> </ul>
2	Hopper is stuck.	<ul style="list-style-type: none"> <li>• Excessive ingredients in the bowl.</li> <li>• Unknown substance in the bowl.</li> </ul>	<ul style="list-style-type: none"> <li>• Press "rev" Switch for 3 - 5 seconds.</li> <li>• Repeat 2 - 3 times.</li> <li>• Press the Hopper down while turning.</li> </ul>
3	Motor stops operating.	<ul style="list-style-type: none"> <li>• Excessive ingredients in the bowl.</li> <li>• Safety feature: automatic shut-off due to overheating.</li> </ul>	<ul style="list-style-type: none"> <li>• Press "rev" Switch 3 - 5 seconds.</li> <li>• Repeat 2 - 3 times.</li> <li>• If motor stops due to overheating, stop operation to allow cooling.</li> </ul>
4	Leakage from the bottom of the Juicing Bowl.	<ul style="list-style-type: none"> <li>• Rubber Stopper not plugged in properly.</li> </ul>	<ul style="list-style-type: none"> <li>• Be sure to plug in Rubber Stopper back to the Stopper Slot securely after cleaning.</li> </ul>
5	Squeaking noise when juicing.	<ul style="list-style-type: none"> <li>• Friction between the DECT™ Squeezing Screw and the Juicing Bowl or ingredients.</li> </ul>	<ul style="list-style-type: none"> <li>• Squeaking sound is normal.</li> <li>• Do not run the Slow Juicer without any ingredients added.</li> </ul>
6	The unit vibrates.	<ul style="list-style-type: none"> <li>• Sign of motor working.</li> </ul>	<ul style="list-style-type: none"> <li>• Vibration is normal.</li> <li>• However, should severe shaking or vibration of motor occur, contact your Product Consultant to check for problem motor.</li> </ul>

# Troubleshooting

7	Water marks or scratches found on the DECT™ Squeezing Screw.	<ul style="list-style-type: none"> <li>Moulding marks during manufacturing process.</li> </ul>	<ul style="list-style-type: none"> <li>These marks and lines on the DECT™ Squeezing Screw are normal.</li> </ul>
8	Colour stains on the Juicing Bowl, 3-Level Extraction Strainer or Spinning Brush.	<ul style="list-style-type: none"> <li>Natural dye from ingredients</li> </ul>	<ul style="list-style-type: none"> <li>Natural dye of ingredients stained on the components when juicing is normal.</li> <li>To reduce staining, rinse and clean immediately after each use.</li> <li>Diluted vinegar may be used to help clean the stains.</li> </ul>
9	Mould found on the Silicone Brushes of the Spinning Brush.	<ul style="list-style-type: none"> <li>Improper cleaning</li> </ul>	<ul style="list-style-type: none"> <li>Clean the Silicone Brushes thoroughly by detaching them from the Spinning Brush.</li> <li>Reattach the Silicone Brushes before use.</li> </ul>
10	Damaged 3-Level Extraction Strainer.	<ul style="list-style-type: none"> <li>Ice cubes, frozen food, large hard seeds or pits, unknown substances, or excessive ingredients in bowl.</li> </ul>	<ul style="list-style-type: none"> <li>Refer to User Guide for proper usage and juicing instructions.</li> <li>Do not overstuff or force ingredients in.</li> </ul>
11	Deformation of components.	<ul style="list-style-type: none"> <li>Components exposed to heat or abrasive cleaning materials.</li> </ul>	<ul style="list-style-type: none"> <li>Do not clean any components in dishwasher or use abrasive cleaning materials or harsh detergents.</li> <li>Do not place any components or product near any heat source. Plastic tends to deform when exposed to high heat.</li> </ul>
12	More pulp ejected than usual.	<ul style="list-style-type: none"> <li>Excessive ingredients in bowl clogging the 3-Level Extraction Strainer.</li> <li>Ingredients not cut into small pieces.</li> </ul>	<ul style="list-style-type: none"> <li>Cut ingredients, especially hard or highly-fibrous ingredients, into smaller pieces to avoid fibre wrapping around the DECT™ Squeezing Screw.</li> <li>Feed ingredients at a slow pace, allowing all the pulp to eject before adding more ingredients.</li> </ul>

# Warranty

- Your Optrimax Slow Juicer is fully guaranteed against manufacturing defects for a period of 12 months from the date of purchase unless stated otherwise.
- Local warranty applies to the country of the original purchase only. If the product is transferred out of the country of original purchase, the local warranty will be void.
- This warranty card must be fully completed and must carry BWL's company stamp or it shall be deemed void.
- This warranty card must be presented to our service staff when Optrimax Slow Juicer is sent for servicing/repair.
- This warranty is not transferable and is only valid for the original purchaser in the country of purchase. Photocopies of warranty card will not be accepted.
- This warranty shall immediately cease and made void if the product is found to have been modified, tampered with or repaired by an unauthorised person.
- This warranty shall be subjected to the following limitations and exclusions:
  - Malfunctions or damages resulting from natural disasters, fire, civil unrest and/or accidents
  - Defects, misuse or damage by negligence and abuse
  - Accessories wear and tear
  - Damage during transportation to/from BWL retail centre
  - Product has not been maintained or operated in accordance with the instructions stated inside User Guide
- Best World Lifestyle reserves the right to amend the above terms and conditions without prior notice.

### Online Activation

Alternatively, you can also choose to activate your warranty online:

- Go to [www.bwlgroupp.com](http://www.bwlgroupp.com)
  - Select 'Our Products'
  - Click on 'Activate Your Warranty!'
  - Enter your details and product individual serial number
- Warranty activation is completed!

# Warranty Card

optrimax<sup>®</sup>  
SLOWJUICER

Serial No.

Purchaser's Name

Purchaser's Address

Telephone (home)  (mobile)

Email

Invoice Number

Handled By (name)  (outlet)

Company Stamp

Date of Purchase Stamp



Made in Korea

b w l<sup>®</sup>  
www.bwlgrou.com

20

## 为什么选择窃轻悦慢磨蔬果机?

窃轻悦慢磨蔬果机缓慢冷压榨取蔬果汁，而不是用高速离心研磨。

窃轻悦慢磨蔬果机，使用首创专利双缘冷压技术 (DECT™)，是市场上表现最佳的压榨螺旋推进器，相比传统的70-80转/分钟的其他慢速榨汁机，只需以最慢的47转/分钟回转速度操作，就能达到高碾磨和压榨效果。

高效精湛的双缘冷压螺旋推进器，可碾磨各样水果和蔬菜，包括那些较难摄取的高纤维蔬果，都能达到榨取最多果汁、最少浪费的效果。

低速回转操作，不产生热量和摩擦，独树一帜完整保留水果和蔬菜中的酵素、维生素、矿物质和植物营养素！

不仅是水果和蔬菜汁，现在您还可以打造您的专属健康食品，制作冰淇淋、果汁冰、豆浆、果酱、调味酱、果泥、婴儿食品，还有更多更多！

为了更好地使用和保养此产品，请仔细遵循此使用说明书中的指示。使用时，若有疑惑或不确定产品使用方法，或技术性难题时，请参阅使用说明。对于因未遵守或缺乏理解此产品使用说明所造成的损失或伤害，本公司不承担任何相关责任。



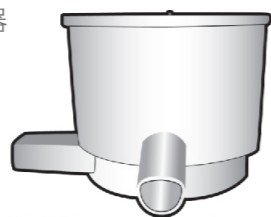
## 认识您的慢磨蔬果机

### 组装配件

推压棒



原汁容器



容器杯



x 2

容器盖



主机



清洗刷



双缘冷压技术 (DECT™) 螺旋推进器



3层分离过滤网



旋转刷



## 注意事项

使用前，请仔细阅读注意事项。请遵守操作指示，避免造成产品受损或个人伤害。



**警告**

违反此操作标志指示可能会导致严重伤害。



请勿用湿手插入或卸除插头。  
违反此操作指示可能导致电击或个人伤害。



请勿使用受损或损坏的插头和电插座来操作该产品。  
违反此操作指示可能导致电击或火灾。



请勿拆卸产品主机配件。所有维修必须由指定维修人员进行。  
违反此操作指示可能导致产品受损、火灾或个人伤害，请联系您的产品顾问进行维修。



请使用正确电源电压。  
违反此操作指示可能导致电击、火灾或产品受损。



任何时候，请勿操作曾掉落或受损的产品。  
违反此操作指示可能导致电击或火灾。请联系您的产品维修人员。



请确保主机远离任何高温热源。请勿把主机、电线或电插头浸入水中。随时确保它们干燥不潮湿。  
违反此操作指示可能导致电击或个人伤害。



请将电插头正确插入电插座。  
违反此操作指示可能导致电击或火灾。



请确保只把食材添加到慢磨蔬果机内。  
违反此操作指示可能导致产品受损或个人伤害。



避免小孩或不熟悉该产品使用的人接触产品。  
违反此操作指示可能导致产品受损或个人伤害。



请勿强制把电插头插入电插座。确保电插头远离任何高温热源，确保电源线不被扭曲或紧压。  
违反此操作指示可能导致电击或火灾。



请勿在操作时拆卸产品配件。  
违反此操作指示可能导致产品受损。谨记只在电源关闭后拆卸组件。

# 注意事项

**! 注意** 违反此操作标志指示可能会导致产品受损。



请务必在平稳的表  
面操作此产品。



请除去水果和蔬菜  
中的坚硬部分。



产品重量达6.5公  
斤，请用双手抬取  
机身。



请勿在容器盖松脱  
时操作此产品。



请勿把冰冻水果  
或冰块放入慢磨蔬  
果机。



请勿使用超过80° C  
的温水冲洗配件。



请勿在操作时移动  
产品。



请勿连续使用  
超过30分钟。  
连续使用前  
后至少间隔5分钟。



请勿使用洗碗机、  
磨蚀清洗器具（如  
金属海绵）或是  
超强去污清洁剂  
清洗。



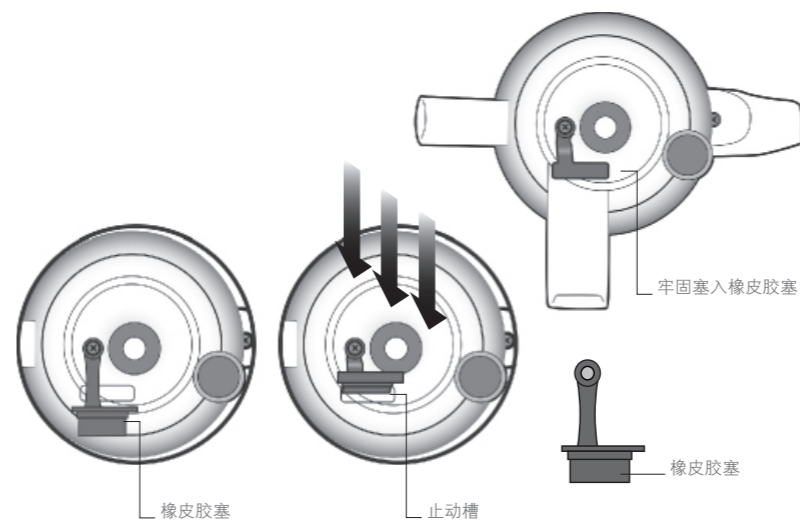
请勿尝试使用任何  
东西（如叉子、筷  
子、勺子等）替代  
推压棒。



使用后，从电插座  
拔出电插头。  
请勿拉扯电源线拔出电  
插头。

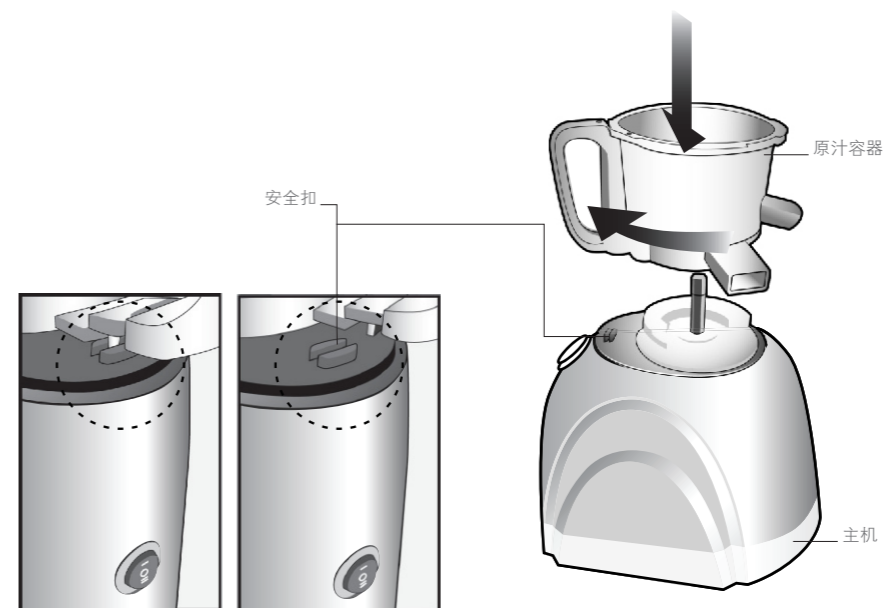
# 组装步骤

## 原汁容器



1

- 组装原汁容器之前，确保其下方的橡皮胶塞，牢固地插入止动槽，以防止原汁泄漏。



2

- 将原汁容器装配到主机上。
- 将原汁容器把手对齐安全扣右边。
- 顺时针方向旋转扣紧。

# 组装步骤



3

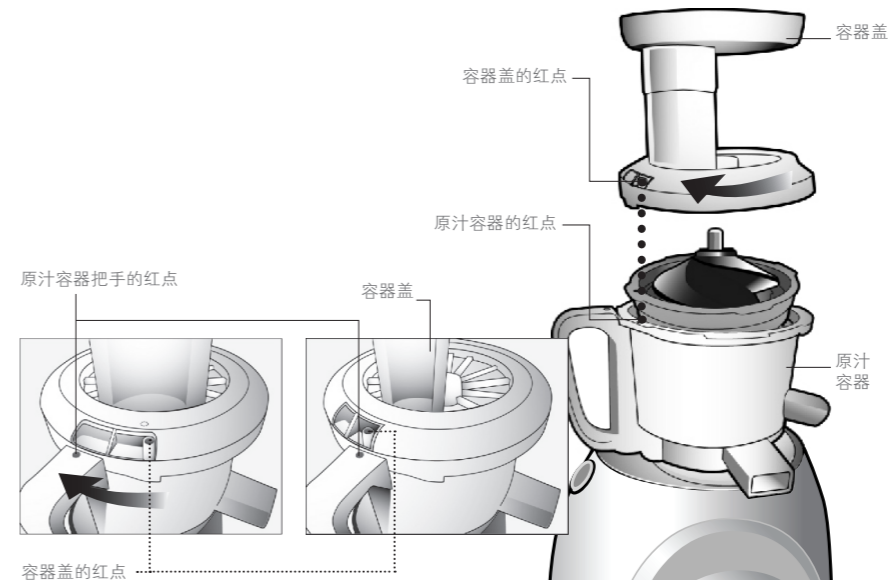
- 将3层分离过滤网装配到旋转刷上。
- 将3层分离过滤网和旋转刷放入原汁容器内。
- 确保对齐3层分离过滤网和原汁容器上的红点。
- 按下扣紧。



4

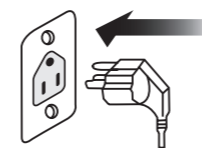
- 将 DECT™ 螺旋推进器放入原汁容器内。
- 按下扣紧。

# 组装步骤



5

- 将容器盖盖在原汁容器上。
- 对齐容器盖和原汁容器上的红点。
- 顺时针方向旋转扣紧。



6

- 将电插头正确插入电插座。
- 将容器杯分别放在两个输送口下方。



# 如何使用



**开关**  
3种设置:

- **on 启动开关**  
用于榨取原汁。
- **rev 反向旋转**  
仅用于食材阻塞螺旋推进器，需要被移除时。
- **关闭电源**

## 压榨原汁前

- 彻底清洗所有食材。
- 将食材切成小于2厘米的小块，便于榨取果汁。坚硬或长形纤维食材（如胡萝卜或叶茎），请切成细小段。
- 除去所有坚硬的果核。
- 压榨黄豆或果仁前，应先浸泡于水中软化。更多点子，请参阅果汁谱。



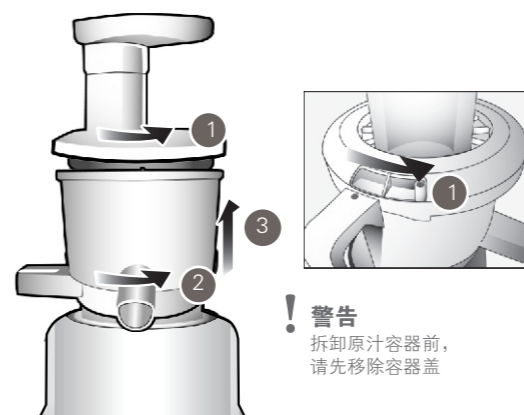
## 压榨原汁

- 启动开关
- 将食材放入容器内。不要同时放入过多食材。推压棒仅在食材阻塞在容器盖时使用。
- 不要放入冰冻水果或冰块。
- 完成榨汁后，关闭电源。

# 拆卸和清洗

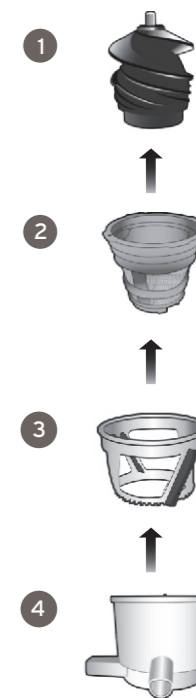


- 启动开关。
- 将清水倒入容器盖清洗。
- 关闭电源。



**警告**  
拆卸原汁容器前，请先移除容器盖

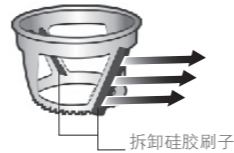
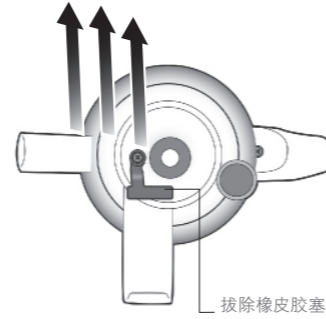
- 逆时针旋转，拆卸容器盖。
- 逆时针旋转原汁容器，将它们从主机上拆卸下来。



拆卸配件的顺序:

1. DECT™ 螺旋推进器
2. 3层分离过滤网
3. 旋转刷
4. 原汁容器

# 拆卸和清洗



- 使用清洗刷和温和的洗洁剂，仔细清洗每个配件。
- 必要时，拆卸旋转刷上的硅胶刷子以便彻底清洗，防止污渍贴附或霉菌生长。
- 将原汁容器下方的橡皮胶塞从止动槽上拔除，以确保彻底清洗。
- 请勿使用磨蚀性清洗用具（如金属海绵）或超强去污清洁剂清洗。
- 请勿使用洗碗机。
- 清洗完毕后，擦干配件。

- 使用干燥软布擦拭主机。
- 请勿把主机浸泡到水中清洗。

# 故障排除

故障问题	可能原因	解决方式
1 原汁容器卡在主机上，不能拆卸下来。	<ul style="list-style-type: none"> <li>• 容器内的食材过多。</li> <li>• 容器内有不明物体。</li> </ul>	<ul style="list-style-type: none"> <li>• 按住“rev”开关3-5秒。</li> <li>• 重复该步骤2-3次。</li> <li>• 旋转容器时向上施力。</li> </ul>
2 容器盖阻塞。	<ul style="list-style-type: none"> <li>• 容器内的食材过多。</li> <li>• 容器内有不明物体。</li> </ul>	<ul style="list-style-type: none"> <li>• 按住“rev”开关3-5秒。</li> <li>• 重复该步骤2-3次。</li> <li>• 旋转容器盖时向下施力。</li> </ul>
3 电机停止操作。	<ul style="list-style-type: none"> <li>• 容器内的食材过多。</li> <li>• 安全功能：因过热而自动关机。</li> </ul>	<ul style="list-style-type: none"> <li>• 按住“rev”开关3-5秒</li> <li>• 重复该步骤2-3次。</li> <li>• 电机若因过热而停止操作，有助冷却。</li> </ul>
4 原汁容器底部出现泄漏。	<ul style="list-style-type: none"> <li>• 橡皮胶塞没有塞好。</li> </ul>	<ul style="list-style-type: none"> <li>• 清理后，确保橡皮胶塞牢固地插入止动槽。</li> </ul>
5 榨原汁时出现噪音。	<ul style="list-style-type: none"> <li>• DECT™ 螺旋推进器和原汁容器或食材摩擦发出的噪音。</li> </ul>	<ul style="list-style-type: none"> <li>• 有噪音是正常的。</li> <li>• 未加入食材时，请勿开启慢磨蔬果机。</li> </ul>
6 慢磨蔬果机振动。	<ul style="list-style-type: none"> <li>• 电机正在运行中。</li> </ul>	<ul style="list-style-type: none"> <li>• 振动是正常的。</li> <li>• 然而电机若发生剧烈晃动或振动，请联系您的产品顾问，检查电机。</li> </ul>
7 DECT™ 螺旋推进器上出现水痕或刮痕。	<ul style="list-style-type: none"> <li>• 生产过程中形成的模痕。</li> </ul>	<ul style="list-style-type: none"> <li>• DECT™ 螺旋推进器上的模痕和线痕是正常的。</li> </ul>



## 故障排除

8	原汁容器、3层分离过滤网或旋转刷上有彩色污渍。	<ul style="list-style-type: none"> <li>食材成份天然染色。</li> </ul>	<ul style="list-style-type: none"> <li>食材里天然彩色成份的颜色沾染在配件上是正常的。</li> <li>为了减少染色，每次使用后立即冲洗擦干。</li> <li>稀释的醋液可以帮助清除污渍。</li> </ul>
9	旋转刷上的硅胶刷子发霉。	<ul style="list-style-type: none"> <li>清洗不干净。</li> </ul>	<ul style="list-style-type: none"> <li>取下旋转刷上的硅胶刷子，确保彻底洗净。</li> <li>使用前，装上硅胶刷子。</li> </ul>
10	3层分离过滤网损坏。	<ul style="list-style-type: none"> <li>冰块、冷冻食品、坚硬又大的种子、不明物质、或过多食材阻塞在容器内导致。</li> </ul>	<ul style="list-style-type: none"> <li>请参阅使用说明，了解使用和榨汁的方法。</li> <li>请勿放入过多或强制放入过多食材。</li> </ul>
11	配件变形。	<ul style="list-style-type: none"> <li>配件暴露在高温热源处或接触到磨蚀性清洁器具。</li> </ul>	<ul style="list-style-type: none"> <li>不要使用洗碗机、磨蚀性清洗器具或超强去污清洁剂清洗任何配件。</li> <li>请勿将配件或机身靠近高温热源。塑料在接触高温时容易变形。</li> </ul>
12	排出的果渣比平时多。	<ul style="list-style-type: none"> <li>过多的食材，阻塞在容器内的3层分离过滤网上。</li> <li>食材没有切成小块。</li> </ul>	<ul style="list-style-type: none"> <li>将食材，特别是高纤维食材切成小块，以避免纤维围绕在DECT™螺旋推进器上。</li> <li>慢慢把食材放入容器盖，让所有果渣排出后，才添加更多食材。</li> </ul>

## 维修保证

- 您的窃轻悦慢磨蔬果机将获得产品损坏维修保障12个月。除获另行通知，保障期从购买日起至12个月后结束。
- 本地维修保证仅限用于原购买国。若产品被带出原购买国，此维修保证在当地将被视为无效，不获受理。
- 此维修保证卡必须完整出示，并附有BWL公司印章，否则将被视为无效。
- 当您窃轻悦慢磨蔬果机送至检查/维修时，需向我们的服务人员出示此维修保证卡。
- 此维修保证卡不可转让，且只适用于身处原购买国的购买者使用。复印的维修保证卡将不获受理。
- 若本司发现此产品已被改造、篡改或已经由未经授权人员修理，此维修保证卡将立即被停用，并被视为无效。
- 下列情况不属于保修范围：
  - 自然灾害、火灾、内乱和/或意外事故所造成的故障和损坏
  - 疏忽和滥用所造成的破坏、误用或损坏
  - 配件磨损和破裂
  - 往返BWL零售中心，运输过程中造成的损坏
  - 未遵照产品使用说明维护或操作此产品
- 全美世界保留修改上述规则与条款的一切权力，恕不另行通知。

## 在线激活

您也可以选择在在线激活维修保证卡：

- 浏览网站[www.bwlgroupp.com](http://www.bwlgroupp.com)
- 选择“我们的产品”
- 点击“启动你的保证书！”
- 输入您的详细资料和产品资料

您已成功激活您的维修保证！

# 维修保证卡

optrimax®  
SLOWJUICER

产品编号		
购买者姓名		
购买者地址		
联系电话 (家)	(手机)	
电邮		
收据号		
办理人 (姓名)	(分行)	
公司印章		
购买日期印章		



# 爲什麼選擇窈輕悅慢磨蔬果機?

窈輕悅慢磨蔬果機緩慢冷壓榨取蔬果汁，而不是用高速離心研磨。

窈輕悅慢磨蔬果機，使用首創專利雙緣冷壓技術 (DECT™)，是市場上表現最佳的壓榨螺旋推進器，相比傳統的70-80轉/分鐘的其他慢速榨汁機，祇需以最慢的47轉/分鐘回轉速度操作，就能達到高碾磨和壓榨效果。

高效精湛的雙緣冷壓螺旋推進器，可碾磨各樣水果和蔬菜，包括那些較難攝取的高纖維蔬果，都能達到榨取最多果汁、最少浪費的效果。

低速回轉操作，不產生熱量和摩擦，獨樹一幟完整保留水果和蔬菜中的酵素、維生素、礦物質和植物營養素！

不僅是水果和蔬菜汁，現在您還可以打造您的專屬健康食品，制作冰淇淋、果汁冰、豆漿、果醬、調味醬、果泥、嬰兒食品，還有更多更多！

爲了更好地使用和保養此產品，請仔細遵循此使用說明中的指示。使用時，若有疑惑或不確定產品使用方法，或技術性難題時，請參閱使用說明。對於因未遵守或缺乏理解此產品使用說明所造成的損失或傷害，本公司不承擔任何相關責任。

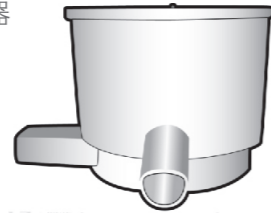
# 認識您的慢磨蔬果機

## 組裝配件

推壓棒



原汁容器



容器杯



x 2

容器蓋



主機



清洗刷

雙緣冷壓技術  
(DECT™)  
螺旋推進器3層分離  
過濾網

旋轉刷



# 注意事項

使用前，請仔細閱讀注意事項。請遵守操作指示，避免造成產品受損或個人傷害。



## 警告

違反此操作標志指示可能會導致嚴重傷害。



請勿用濕手插入或卸除插頭。

違反此操作指示可能導致電擊或個人傷害。



請勿使用受損或損壞的插頭和電插座來操作該產品。

違反此操作指示可能導致電擊或火災。



請勿拆卸產品主機配件。所有維修必須由指定維修人員進行。

違反此操作指示可能導致產品受損、火災或個人傷害，請聯系您的產品顧問進行維修。



請使用正確電源電壓。

違反此操作指示可能導致電擊、火災或產品受損。



任何時候，請勿操作曾掉落或受損的產品。

違反此操作指示可能導致電擊或火災。請聯系您的產品維修人員。



請確保主機遠離任何高溫熱源。請勿把主機、電綫或電插頭浸入水中。隨時確保它們乾燥不潮濕。

違反此操作指示可能導致電擊或個人傷害。



請將電插頭正確插入電插座。

違反此操作指示可能導致電擊或火災。



請確保祇把食材添加入慢磨蔬果機內。

違反此操作指示可能導致產品受損或個人傷害。



避免小孩或不熟悉該產品使用的人接觸產品。

違反此操作指示可能導致產品受損或個人傷害。



請勿強制把電插頭插入電插座。確保電插頭遠離任何高溫熱源，確保電源綫不被扭曲或緊壓。

違反此操作指示可能導致電擊或火災。



請勿在操作時拆卸產品配件。

違反此操作指示可能導致產品受損。謹記祇在電源關閉後拆卸組件。

# 注意事項

**! 注意** 違反此操作標志指示可能會導致產品受損。



請務必在平穩的表面操作此產品。



請除去水果和蔬菜中的堅硬部分。



產品重量達6.5公斤，請用雙手抬取機身。



請勿在容器蓋鬆脫時操作此產品。



請勿把冰凍水果或冰塊放入慢磨蔬果機。



請勿使用超過80° C 的溫水衝洗配件。



請勿在操作時移動產品。



請勿連續使用超過30分鐘。連續使用前後至少間隔5分鐘。



請勿使用洗碗機、磨蝕清洗器具（如金屬海綿）或是超強去污清潔劑清洗。



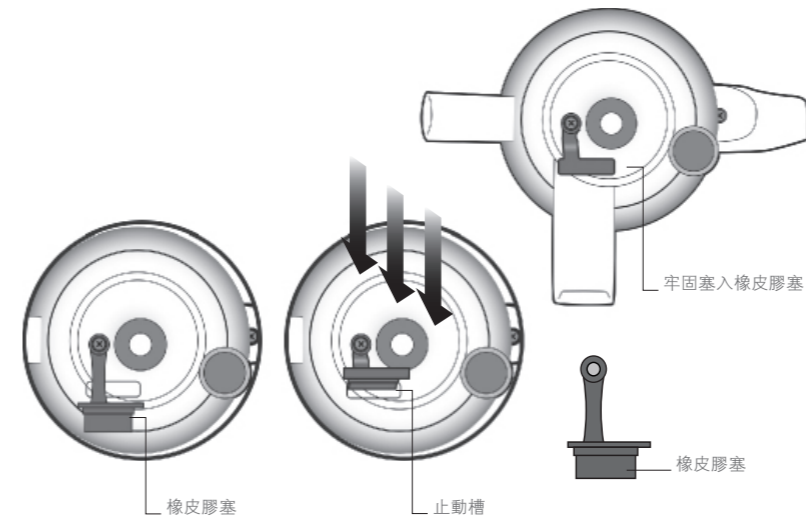
請勿嘗試使用任何東西（如叉子、筷子、勺子等）替代推壓棒。



使用後，從電插座拔出電插頭。  
請勿拉扯電源線拔出電插頭。

# 組裝步驟

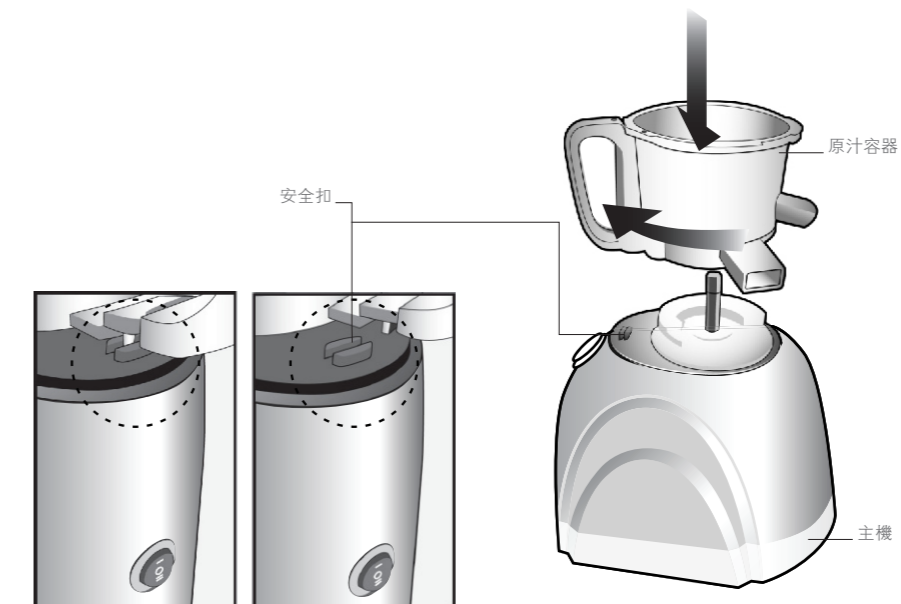
## 原汁容器



1

- 組裝原汁容器之前，確保其下方的橡皮膠塞，牢固地插入止動槽，以防止原汁泄漏。

2



- 將原汁容器裝配到主機上。
- 將原汁容器把手對齊安全扣右邊。
- 順時針方向旋轉扣緊。

## 組裝步驟



3

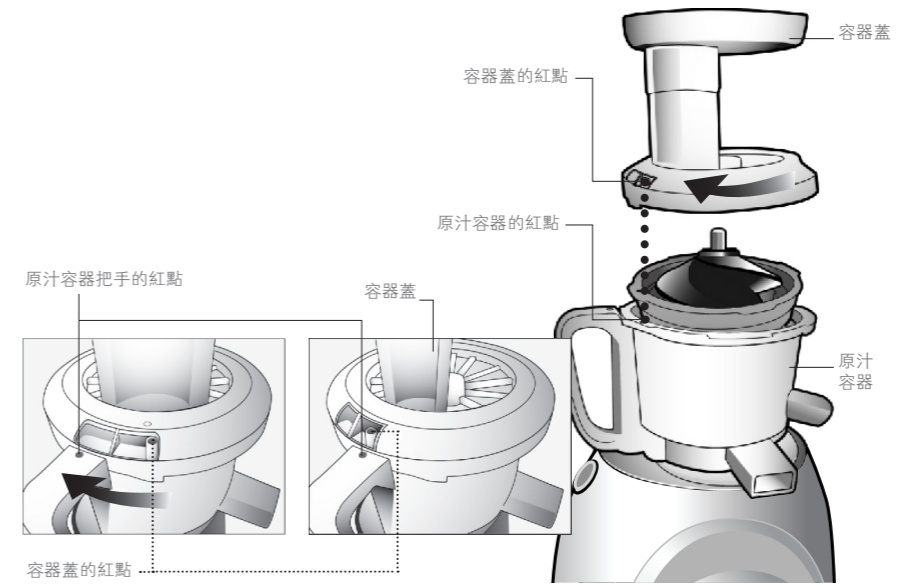
- 將3層分離過濾網裝配到旋轉刷上。
- 將3層分離過濾網和旋轉刷放入原汁容器內。
- 確保對齊3層分離過濾網和原汁容器上的紅點。
- 按下扣緊。



4

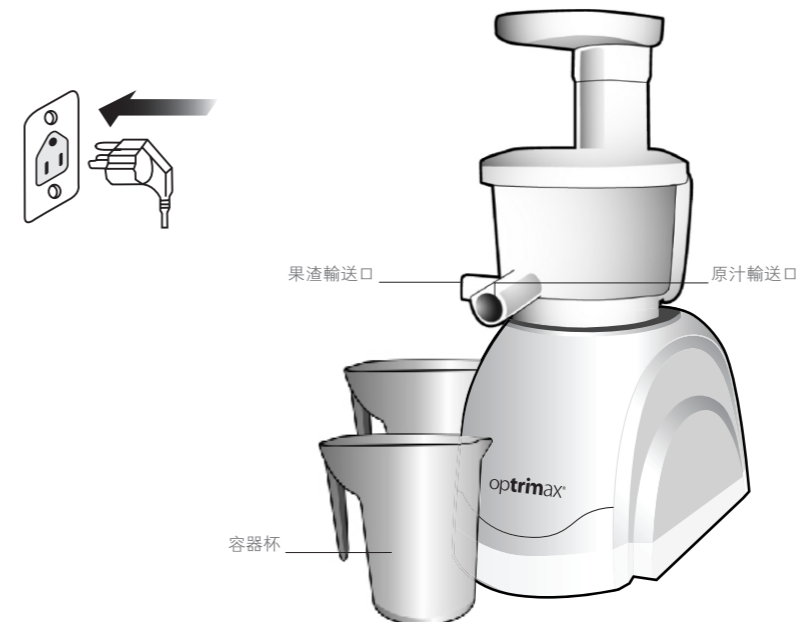
- 將DECT™ 螺旋推進器放入原汁容器內。
- 按下扣緊。

## 組裝步驟



5

- 將容器蓋蓋在原汁容器上。
- 對齊容器蓋和原汁容器上的紅點。
- 順時針方向旋轉扣緊。



6

- 將電插頭正確插入電插座。
- 將容器杯分別放在兩個輸送口下方。

# 如何使用



**開關**  
3種設置:

- on 啟動開關  
用於榨取原汁
- rev 反向旋轉  
僅用於食材阻塞螺旋  
推進器，需要被移除時。
- 關閉電源

## 壓榨原汁前

- 徹底清洗所有食材。
- 將食材切成小於2厘米的小塊，便於榨取果汁。堅硬或長形纖維食材（如胡蘿卜或葉莖），請切成細小段。
- 除去所有堅硬的果核。
- 壓榨黃豆或果仁前，應先浸泡於水中軟化。更多點子，請參閱果汁譜。



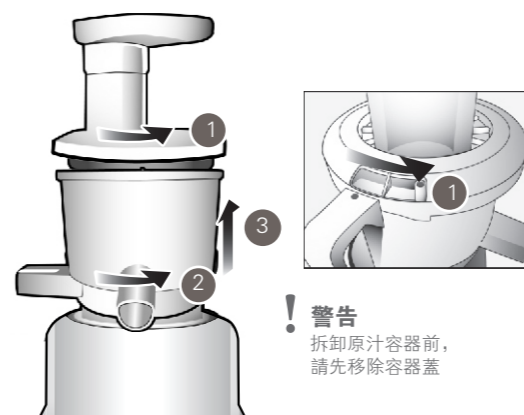
## 壓榨原汁

- 啟動開關
- 將食材放入容器內。不要同時放入過多食材。推壓棒僅在食材阻塞在容器蓋時使用。
- 不要放入冰凍水果或冰塊。
- 完成榨汁後，關閉電源。

# 拆卸和清洗

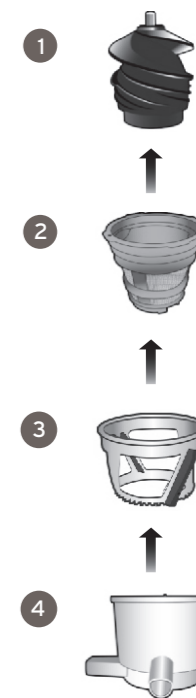


- 啟動開關。
- 將清水倒入容器蓋清洗。
- 關閉電源。



**！警告**  
拆卸原汁容器前，  
請先移除容器蓋

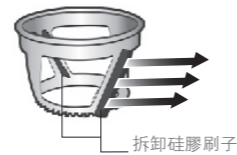
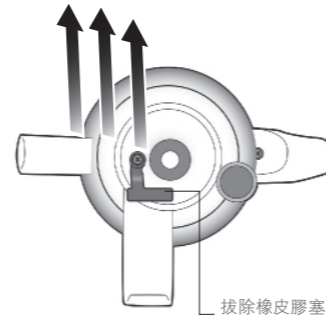
- 逆時針旋轉，拆卸容器蓋。
- 逆時針旋轉原汁容器，  
將它們從主機上拆卸下來。



拆卸配件的順序：

1. DECT™ 螺旋推進器
2. 3層分離過濾網
3. 旋轉刷
4. 原汁容器

# 拆卸和清洗



- 使用清洗刷和溫和的洗潔劑，仔細清洗每個配件。
- 必要時，拆卸旋轉刷上的硅膠刷子以便徹底清洗，防止污漬貼附或霉菌生長。
- 將原汁容器下方的橡皮膠塞從止動槽上拔除，以確保徹底清洗。
- 請勿使用磨蝕性清洗用具（如金屬海棉）或超強去污清潔劑清洗。
- 請勿使用洗碗機。
- 清洗完畢後，擦幹配件。

- 使用乾燥軟布擦拭主機。
- 請勿把主機浸泡到水中清洗。

# 故障排除

故障問題	可能原因	解決方式
1 原汁容器卡在主機上，不能拆卸下來。	<ul style="list-style-type: none"> <li>• 容器內的食材過多。</li> <li>• 容器內有不明物體。</li> </ul>	<ul style="list-style-type: none"> <li>• 按住“rev”開關3-5秒。</li> <li>• 重復該步驟2-3次。</li> <li>• 旋轉容器時向上施力。</li> </ul>
2 容器蓋阻塞。	<ul style="list-style-type: none"> <li>• 容器內的食材過多。</li> <li>• 容器內有不明物體。</li> </ul>	<ul style="list-style-type: none"> <li>• 按住“rev”開關3-5秒。</li> <li>• 重復該步驟2-3次。</li> <li>• 旋轉容器時向上施力。</li> </ul>
3 電機停止操作。	<ul style="list-style-type: none"> <li>• 容器內的食材過多。</li> <li>• 安全功能：因過熱而自動關機。</li> </ul>	<ul style="list-style-type: none"> <li>• 按住“rev”開關3-5秒。</li> <li>• 重復該步驟2-3次。</li> <li>• 電機若因過熱而停止操作，有助冷卻。</li> </ul>
4 原汁容器底部出現泄漏。	<ul style="list-style-type: none"> <li>• 橡皮膠塞沒有塞好。</li> </ul>	<ul style="list-style-type: none"> <li>• 清理後，確保橡皮膠塞牢固地插入止動槽。</li> </ul>
5 榨原汁時出現噪音。	<ul style="list-style-type: none"> <li>• DECT™ 螺旋推進器和原汁容器或食材摩擦發出的噪音。</li> </ul>	<ul style="list-style-type: none"> <li>• 有噪音是正常的。</li> <li>• 未加入食材時，請勿開啓慢磨蔬果機。</li> </ul>
6 慢磨蔬果機振動。	<ul style="list-style-type: none"> <li>• 電機正在運行中。</li> </ul>	<ul style="list-style-type: none"> <li>• 振動是正常的。</li> <li>• 然而電機若發生劇烈晃動或振動，請聯系您的產品顧問，檢查電機。</li> </ul>
7 DECT™ 螺旋推進器上出現水痕或刮痕。	<ul style="list-style-type: none"> <li>• 生產過程中形成的模痕。</li> </ul>	<ul style="list-style-type: none"> <li>• DECT™ 螺旋推進器上的模痕和綫痕是正常的。</li> </ul>

## 故障排除

8	原汁容器、3層分離過濾網或旋轉刷上有彩色污漬。	<ul style="list-style-type: none"> <li>食材成份天然染色。</li> </ul>	<ul style="list-style-type: none"> <li>食材裏天然彩色成份的顏色沾染在配件上是正常的。</li> <li>爲了減少染色，每次使用後立即衝洗擦幹。</li> <li>稀釋的醋液可以幫助清除污漬。</li> </ul>
9	旋轉刷上的硅膠刷子發霉。	<ul style="list-style-type: none"> <li>清洗不幹淨。</li> </ul>	<ul style="list-style-type: none"> <li>取下旋轉刷上的硅膠刷子，確保徹底洗淨。</li> <li>使用前，裝上硅膠刷子。</li> </ul>
10	3層分離過濾網損壞。	<ul style="list-style-type: none"> <li>冰塊、冷凍食品、堅硬又大的種子、不明物質、或過多食材阻塞在容器內導致。</li> </ul>	<ul style="list-style-type: none"> <li>請參閱使用說明，了解使用和榨汁的方法。</li> <li>請勿放入過多或強制放入過多食材。</li> </ul>
11	配件變形。	<ul style="list-style-type: none"> <li>配件暴露在高溫熱源處或接觸到磨蝕性清潔器具。</li> </ul>	<ul style="list-style-type: none"> <li>不要使用洗碗機、磨蝕性清洗器具或超強去污清潔劑清洗任何配件。</li> <li>請勿將配件或機身靠近高溫熱源。塑料在接觸高溫時容易變形。</li> </ul>
12	排出的果渣比平時多。	<ul style="list-style-type: none"> <li>過多的食材，阻塞在容器內的3層分離過濾網上。</li> <li>食材沒有切成小塊。</li> </ul>	<ul style="list-style-type: none"> <li>將食材，特別是高纖維食材切成小塊，以避免纖維圍繞在DECT™螺旋推進器上。</li> <li>慢慢把食材放入容器蓋，讓所有果渣排出後，才添加更多食材。</li> </ul>

## 維修保證

- 您的竊輕悅慢磨蔬果機將獲得產品損壞維修保障12個月。除獲另行通知，保障期從購買日起至12個月後結束。
- 本地維修保證僅限用于原購買國。若產品被帶出原購買國，此維修保證在當地將被視爲無效，不獲受理。
- 此維修保證卡必須完整出示，并附有BWL公司印章，否則將被視爲無效。
- 當您將竊輕悅慢磨蔬果機送至檢查/維修時，需向我們的服務人員出示此維修保證卡。
- 此維修保證卡不可轉讓，且祇適用於身處原購買國的購買者使用。復印的維修保證卡將不獲受理。
- 若本司發現此產品已被改造、篡改或已經由未經授權人員修理，此維修保證卡將立即被停用，并被視爲無效。
- 下列情況不屬於保修範圍：
  - 自然災害、火災、內亂和/或意外事故所造成的故障和損壞
  - 疏忽和濫用所造成的破壞、誤用或損壞
  - 配件磨損和破裂
  - 往返BWL零售中心，運輸過程中造成的損壞
  - 未遵照產品使用說明維護或操作此產品
- 全美世界保留修改上述規則與條款的一切權力，恕不另行通知。

## 在綫激活

您也可以選擇在綫激活維修保證卡：

- 瀏覽網站[www.bwlgroupp.com](http://www.bwlgroupp.com)
- 選擇“我們的產品”
- 點擊“啓動你的保證書！”
- 輸入您的詳細資料和產品資料

您已成功激活您的維修保證！



# 維修保證卡

optrimax®  
SLOWJUICER

產品編號		
購買者姓名		
購買者地址		
聯系電話 (家)	(手機)	
電郵		
收據號		
辦理人 (姓名)	(分行)	
公司印章		
購買日期印章		



韩国制造

b w l®  
www.bwlgrou.com

## Mengapa Optrimax Slow Juicer?

Optrimax Slow Juicer memungkinkan proses ekstraksi jus/sari buah-buahan yang lebih lembut dan tanpa panas dibandingkan prdouk lain yang dilengkapi mesin pemutar/sentrifugal berkecepatan tinggi.

Menggunakan teknologi DualEdge Cold Press Technology™ (DECT™) yang merupakan sekrup pengekrak dengan peforma terbaik dan telah mendapat hak paten, Optrimax Slow Juicer menghasilkan potongan dan hasil perasan yang lebih baik pada kecepatan yang relative lebih rendah yaitu 47 RPM jika dibandingkan dengan alat pemerass/juicer konvensional lain yang kecepatannya 70-80 RPM.

Teknologi pemerasan dual-edge memungkinkan hasil ekstrak sari buah dan sayur-sayuran yang lebih efektif, termasuk sayuran dan buah-buahan dengan kandungan serat yang tinggi.

Beroperasi dengan kecepatan yang lebih rendah dan tanpa panas memungkinkan enzim, vitamin, mineral, dan pythonutrients yang terdapat pada buah-buahan dan sayuran terjaga lebih baik.

Tidak hanya buah-buahan dan sayuran, anda juga dapat membuat berbagai variasi es krim, sorbet, susu kacang, selai, saus, makanan bayi, dan lainnya.

Untuk penggunaan dan cara perawatan yang benar, ikutilah instruksi yang terdapat pada Buku Panduan ini. Gunakan Buku Panduan ini sebagai referensi jika Anda menemukan masalah dalam cara penggunaan/teknis. Kami tidak bertanggung jawab atas cacat maupun kerusakan yang disebabkan karena tidak mempelajari buku panduan ini dengan sebaik-baiknya.



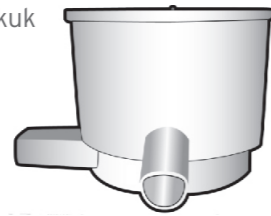
# Mengenal Optrimax Slow Juicer Anda

## Komponen

Tuas Pendorong



Mangkuk Jus

Wadah  
x 2Hopper  
(Mangkuk Jus)DualEdge  
Cold-Press  
Technology  
(DECT™)  
Sekrup  
PengekstrakBagian  
BawahSikat  
PembersihSaringan  
Pengekstraksi  
3 TingkatSikat  
Berputar

# Peringatan Keamanan

Bacalah dengan seksama sebelum penggunaan. Ikutilah instruksi-instruksi di bawah ini untuk mencegah kerusakan produk/cedera.

**! Perhatian** Melanggar tanda-tanda dibawah ini dapat menyebabkan cedera serius.



Jangan menyambung atau melepas kabel listrik dengan menggunakan tangan yang basah.

Pelanggaran instruksi ini dapat menyebabkan kesetrum maupun cedera.



Jangan digunakan pada kabel listrik/steker yang rusak.

Pelanggaran instruksi ini dapat menyebabkan korslet maupun kebakaran.



Jangan membongkar bagian bawah unit. Segala bentuk tindakan perbaikan seharusnya dilakukan oleh petugas resmi.

Pelanggaran instruksi ini dapat menyebabkan kerusakan unit, kebakaran, maupun cedera. Hubungi konsultan produk untuk tindakan perbaikan.



Gunakan pada sumber voltase yang sesuai.

Pelanggaran instruksi ini dapat menyebabkan korslet, kebakaran, maupun kerusakan produk.



Jangan digunakan jika unit rusak maupun retak.

Pelanggaran instruksi ini dapat menyebabkan korslet maupun kebakaran. Hubungi konsultan produk anda untuk tindakan perbaikan.



Sambungkan kabel pada sumber daya listrik yang sesuai.

Pelanggaran instruksi ini dapat menyebabkan korslet maupun kebakaran.



Jangan menaruh benda asing ke dalam Slow Juicer, pastikan anda hanya memasukkan bahan makanan.

Pelanggaran instruksi ini dapat menyebabkan kerusakan unit maupun cedera.



Jauhkan bagian bawah unit ini dari sumber panas. Jangan merendam bagian bawah unit, kabel, dan steker ke dalam air. Jaga unit agar tetap kering.

Pelanggaran terhadap instruksi-instruksi ini dapat menyebabkan korslet maupun cedera.



Jangan memaksakan kabel listrik pada colokan/steker. Pastikan kabel listrik terletak jauh dari sumber panas lain dan tidak bengkok/kusut.

Pelanggaran instruksi-instruksi ini dapat menyebabkan korslet maupun kebakaran.



Jangan melakukan bongkar pasang unit ini ketika unit masih beroperasi.

Pelanggaran instruksi ini dapat menyebabkan kerusakan unit maupun cedera. Bongkar pasang unit hanya dapat dilakukan ketika unit sedang tidak beroperasi.



Jauhkan dari jangkauan anak-anak maupun siapapun yang tidak familiar dengan cara penggunaan unit ini.

Pelanggaran instruksi ini dapat menyebabkan korslet maupun cedera.

# Tindakan Pencegahan

**! Perhatian** Pelanggaran terhadap tanda ini dapat menyebabkan kerusakan unit yang serius



Pastikan unit beroperasi pada permukaan yang datar dan stabil.



Hilangkan biji/bagian yang keras dari sayur-sayuran dan buah-buahan.



Berat dari bagian bawah unit adalah 6,45 kg. Pastikan untuk memindahkan unit dengan kedua tangan.



Jangan gunakan unit ketika Hopper tidak menutup dengan sempurna/kendur.



Jangan memasukkan buah yang beku maupun es batu ke dalam Slow Juicer



Jangan membersihkan unit dengan air bersuhu di atas 80°C.



Jangan memindahkan unit ketika unit sedang beroperasi.



Jangan menggunakan unit selama lebih dari 30 menit secara berturut-turut. Pemakaian selama berlanjut hanya diperbolehkan dengan jeda setidaknya 5 menit.



Jangan menggunakan mesin pencuci piring, bahan pembersih yang abrasif(spons metal) maupun diterjen untuk membersihkan unit.



Jangan gunakan benda lain(seperti garpu, sumpit, dan sendok)sebagai tuas pendorong

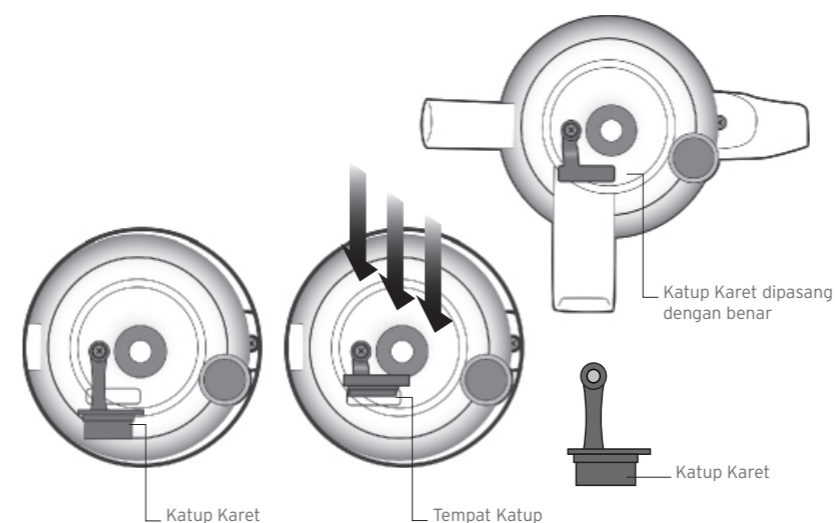


Setelah penggunaan, lepaskan kabel listrik dari sumber listrik.

Jangan melepas kabel listrik dengan menarik secara kasar.

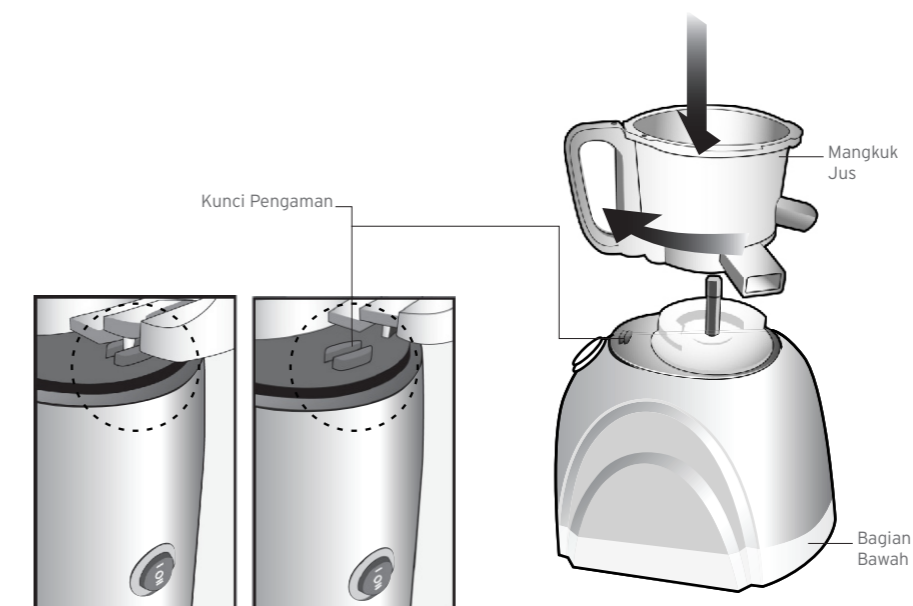
# Pemasangan

## Pembuatan Jus



1

- Sebelum pemasangan mangkuk jus, pastikan katup karet yang berada di dalam mangkuk jus telah dipasang dengan benar di tempat katup untuk mencegah kebocoran.



2

- Sambungkan Mangkuk Jus dengan Bagian Bawah.
- Pastikan pegangan dari mangkuk jus berada di sebelah kanan kunci pengaman.
- Putar searah jarum jam.

# Pemasangan



3

- Sambungkan Saringan Pengestraksi 3 Tingkat ke sikat berputar.
- Sambungkan Saringan Pengestraksi 3 Tingkat dan sikat berputar ke mangkuk jus.
- Pastikan titik merah pada Saringan Pengestraksi 3 Tingkat dan titik merah pada mangkuk jus berada sejajar.
- Tekan untuk memastikan

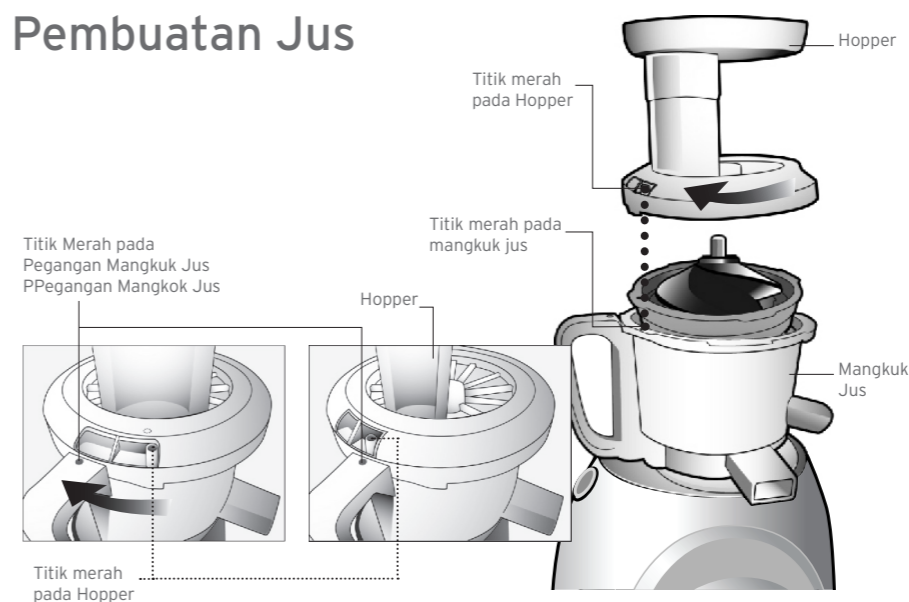


4

- Pasang sekrup pemeras DECT™ pada bagian tengah mangkuk jus.
- Tekan untuk memastikan.

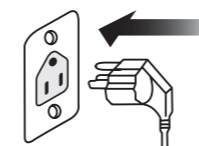
# Pemasangan

## Pembuatan Jus



5

- Sambungkan Hopper (Mangkuk Jus) ke mangkuk jus.
- Pastikan titik merah pada Hopper dan titik merah pada mangkuk jus berada pada posisi sejajar.
- Putar searah jarum jam.

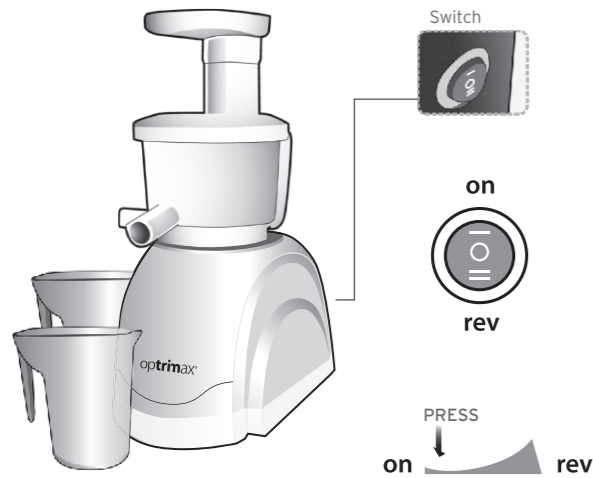


6

- Sambungkan unit pada sumber daya listrik yang sesuai.
- Letakkan wadah dibawah pipa.



## Cara Penggunaan



### Tombol

Terdapat tiga jenis setelan:

- **on** memulai proses pembuatan jus
- = **rev** Hanya digunakan jika terdapat bahan makanan yang tersangkut dalam unit dan perlu dikeluarkan.
- Matikan tombol.

### Sebelum Prose Pembuatan Jus

- Bersihkan seluruh bahan makanan.
- Potong bahan makanan dengan ukuran tidak lebih dari 5cm untuk proses ekstraksi jus yang optimal. Untuk bahan makanan yang berserat tinggi (seperti wortel ataupun batang sayuran), potong menjadi bagian-bagian yang lebih tipis.
- Hilangkan biji/bagian yang kasar.
- Untuk melakukan proses pembuatan jus kacang-kacangan. Cek buku resep untuk mendapatkan ide-ide kreatif.



### Pembuatan Jus

- Nyalakan tombol.
- Masukkan bahan-bahan makanan ke dalam Hopper. Jangan masukkan bahan makanan terlalu banyak. Gunakan tuas pendorong ketika ada bahan makanan yang tersangkut.
- Jangan memasukkan buah beku maupun es batu.
- Matikan tombol ketika proses pembuatan jus selesai.

## Pembongkaran dan Pembersihan



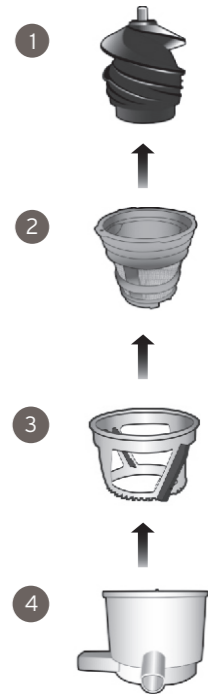
- Nyalakan tombol
- Bilas Hopper dengan air bersih
- Matikan tombol.



### ! PERHATIAN

Lepaskan Hopper terlebih dahulu sebelum membongkar mangkuk jus maupun mangkuk puree dari bagian bawah

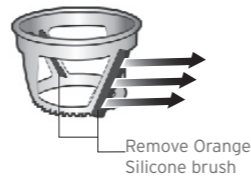
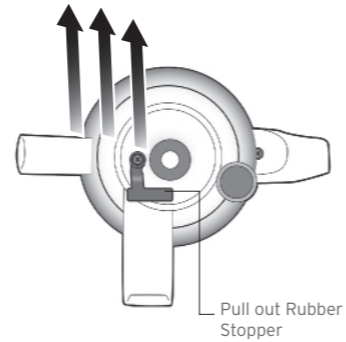
- Putar Hopper berlawanan dengan arah jarum jam agar dapat terlepas.
- Putar mangkuk jus, atur agar berada dalam posisi berlawanan dengan jarum jam untuk melepas seluruh unit dari bagian bawah.



Lepaskan unit berdasarkan urutan di bawah ini:

1. DECT™ Sekrup Pengekstrak
2. Saringan Pengekstraksi 3 Tingkat
3. Sikat berputar
4. Mangkok jus

# Pembongkaran dan Pembersihan



- Gunakan sikat pembersih setelah menggunakan bahan pembersih yang lembut.
- Lepaskan sikat silikon dari sikat berputar untuk memastikan proses pembersihan yang sempurna serta mencegah adanya noda maupun kotoran yang masih tertinggal.
- Dalam mangkuk jus/puree, lepaskan katup karet dari tempat katup untuk memastikan proses pembersihan yang sempurna.
- Jangan menggunakan alat pembersih yang abrasive (seperti spons metal) atau diterjen untuk membersihkan.
- Jangan menggunakan mesin pencuci piring.
- Keringkan unit.

- Bersihkan bagian bawah dengan handuk kering/lembap.
- Jangan membilas maupun merendam bagian bawah ke dalam air.

# Pemecahan Masalah

	Masalah	Kemungkinan Penyebab	Solusi
1	Mangkuk jus tidak dapat terlepas dari bagian bawah.	<ul style="list-style-type: none"> <li>• Jumlah makanan yang terdapat dalam mangkuk terlalu banyak.</li> <li>• Terdapat bahan asing yang tersangkut dalam mangkuk.</li> </ul>	<ul style="list-style-type: none"> <li>• Tekan tombol "rev" selama 3-5 detik.</li> <li>• Ulangi selama 2-3x.</li> <li>• Dorong mangkuk ke atas ketika diputar.</li> </ul>
2	Hopper tidak dapat terlepas.	<ul style="list-style-type: none"> <li>• Jumlah makanan yang terdapat dalam mangkuk terlalu banyak.</li> <li>• Terdapat bahan asing yang tersangkut dalam mangkuk.</li> </ul>	<ul style="list-style-type: none"> <li>• Tekan tombol "rev" selama 3-5 detik.</li> <li>• Ulangi selama 2-3x.</li> <li>• Dorong Hopper ke bawah ketika diputar.</li> </ul>
3	Mesin berhenti berfungsi.	<ul style="list-style-type: none"> <li>• Jumlah makanan yang terdapat dalam mangkuk terlalu banyak.</li> <li>• Fitur keamanan sedang berfungsi: mati otomatis karena mencegah mesin yang kepanasan.</li> </ul>	<ul style="list-style-type: none"> <li>• Tekan tombol "rev" selama 3-5 detik.</li> <li>• Ulangi selama 2-3x.</li> <li>• Jika mesin berhenti karena kepanasan, hentikan pemakaian sementara untuk memungkinkan proses pendinginan.</li> </ul>
4	Kebocoran yang terjadi dari mangkuk jus/puree	<ul style="list-style-type: none"> <li>• Katup penutup tidak terpasang dengan benar.</li> </ul>	<ul style="list-style-type: none"> <li>• Pastikan untuk meletakkan katup penutup kembali ke tempatnya setelah unit dibersihkan.</li> </ul>
5	Suara berisik yang timbul ketika unit sedang beroperasi.	<ul style="list-style-type: none"> <li>• Gesekan yang terjadi antara DECT™ sekrup pengestrak dengan mangkuk jus/puree.</li> </ul>	<ul style="list-style-type: none"> <li>• Suara yang timbul adalah hal yang normal.</li> <li>• Jangan mengoperasikan unit tanpa memasukkan bahan makanan.</li> </ul>
6	Unit bergetar	<ul style="list-style-type: none"> <li>• Tanda bahwa mesin unit berjalan dengan baik.</li> </ul>	<ul style="list-style-type: none"> <li>• Getaran yang terjadi adalah hal yang normal.</li> <li>• Namun, jika getaran terjadi secara terus menerus, hubungi konsultan produk untuk memeriksa apakah terjadi permasalahan pada mesin.</li> </ul>
7	Ditemukan tanda air/gesekkan pada DECT™ Sekrup Pengestrak	<ul style="list-style-type: none"> <li>• Proses pembuatan</li> </ul>	<ul style="list-style-type: none"> <li>• Tanda/garis/gesekkan pada sekrup DECT™ adalah normal.</li> </ul>

## Pemecahan Masalah

8	Noda pada mangkuk jus, saringan, maupun sikat berputar.	<ul style="list-style-type: none"> <li>Warna natural dari bahan makanan.</li> </ul>	<ul style="list-style-type: none"> <li>Warna natural dari bahan makanan yang terbentuk ketika proses pembuatan jus.</li> <li>Untuk mengurangi noda, bilas dan bersihkan sesegera mungkin setelah pemakaian.</li> <li>Gunakan cuka untuk membersihkan noda yang sulit dihilangkan</li> </ul>
9	Terdapat jamur pada sikat silikon maupun sikat berputar.	<ul style="list-style-type: none"> <li>Proses pembersihan yang kurang sempurna</li> </ul>	<ul style="list-style-type: none"> <li>Pastikan untuk membersihkan sikat silikon maupun sikat berputar secara menyeluruh dengan melepaskan sikat silikon dari sikat berputar.</li> <li>Pastikan untuk memasang sikat silikon sebelum digunakan kembali</li> </ul>
10	Saringan Pengekstraksi 3 Tingkat yang rusak	<ul style="list-style-type: none"> <li>Es batu, makanan beku, biji-bijian berukuran besar, maupun bahan makanan yang tidak dikenal/berlebihan pada mangkuk.</li> </ul>	<ul style="list-style-type: none"> <li>Gunakan panduan pengguna untuk cara penggunaan dan pembuatan jus yang benar</li> <li>Jangan memasukkan bahan makanan terlalu banyak/berlebihan.</li> </ul>
11	Perubahan bentuk komponen-komponen unit.	<ul style="list-style-type: none"> <li>Komponen-komponen unit terpapar pada panas/bahan pembersih yang abrasif.</li> </ul>	<ul style="list-style-type: none"> <li>Jangan menggunakan mesin pencuci piring maupun bahan pembersih yang abrasif.</li> <li>Jangan meletakkan unit di dekat sumber panas. Plastik cenderung meleleh ketika berada di dekat sumber panas dengan temperatur tinggi.</li> </ul>
12	Ampas yang dikeluarkan lebih banyak dari biasanya.	<ul style="list-style-type: none"> <li>Banyaknya bahan makanan yang menyumbat Saringan Pengekstraksi 3 Tingkat.</li> <li>Bahan makanan tidak terpotong dalam ukuran yang relatif kecil</li> </ul>	<ul style="list-style-type: none"> <li>Potonglah bahan makanan pada ukuran yang lebih kecil sebelum dimasukkan, khususnya bahan dengan kandungan serat yang tinggi untuk menghindari adanya ampas di sekitar sekrup pengestrak DECT™.</li> <li>Masukkan bahan makanan ke dalam unit pada kecepatan yang relatif lambat, Saringan Pengekstraksi 3 Tingkat ampas dari bahan makanan dapat dikeluarkan.</li> </ul>

## Garansi

- Optrimax Slow Juicer anda mendapatkan garansi penuh selama 12 bulan terhitung dari tanggal pembelian.
- Garansi lokal hanya berlaku di negara tempat transaksi/pembelian berlangsung, jika produk ini dibawa keluar dari negara tersebut maka garansi lokal tidak berlaku.
- Kartu garansi ini harus diisi dengan lengkap dan diberi cap resmi BWL, jika persyaratan ini tidak dipenuhi maka garansi tidak berlaku.
- Kartu garansi ini harus ditunjukkan kepada staff BWL jika anda membutuhkan proses perawatan/perbaikan Optrimax Slow Juicer.
- Kartu garansi ini tidak dapat dipindah tangankan dan hanya berlaku di negara tempat pembelian.
- Kartu garansi ini tidak berlaku jika produk ditemukan telah dimodifikasi, dirusak, maupun diperbaiki oleh pihak yang tidak berwenang.
- Pemberlakuan garansi ini dapat dipertimbangkan untuk beberapa kondisi seperti :
  - o Kerusakan yang disebabkan oleh bencana alam, kebakaran, maupun kecelakaan.
  - o Kerusakan yang disebabkan oleh kekeliruan dalam pemakaian/penyalahgunaan produk.
  - o Kerusakan perangkat tambahan
  - o Kerusakan yang terjadi saat proses pengantaran produk dari/menjujur kantor/outlet BWL
  - o Produk tidak dirawat/digunakan sesuai dengan instruksi dalam petunjuk pengguna
- Best World Lifestyle memiliki hak penuh untuk mengubah syarat-syarat dan kondisi di atas tanpa pemberitahuan terlebih dahulu.

### Pengaktifan Online

Sebagai alternatif, Anda dapat mengaktifkan garansi anda secara online:

- Kunjungi [www.bwlgroupp.com](http://www.bwlgroupp.com)
  - Pilih "Produk Kami"
  - Klik "Aktifkan Garansi Anda"
  - Masukkan detail dan nomor serial individual produk anda
- Pengaktifan garansi anda telah selesai!

# Kartu Garansi

optrimax<sup>®</sup>  
SLOWJUICER

Serial No.

Nama Konsumen

Alamat Konsumen

Telephone (Rumah)

(HP)

Email

Invoice Number

Staff BWL(Nama)

(outlet/LC)

Cap Perusahaan

Tanggal Pembelian

